

# O<sub>2</sub> Analyzer CG-SM



## What's CG-SM

This is a small and light oxygen analyzer that has a detective element made of Zirconia electrolyte.

## Features

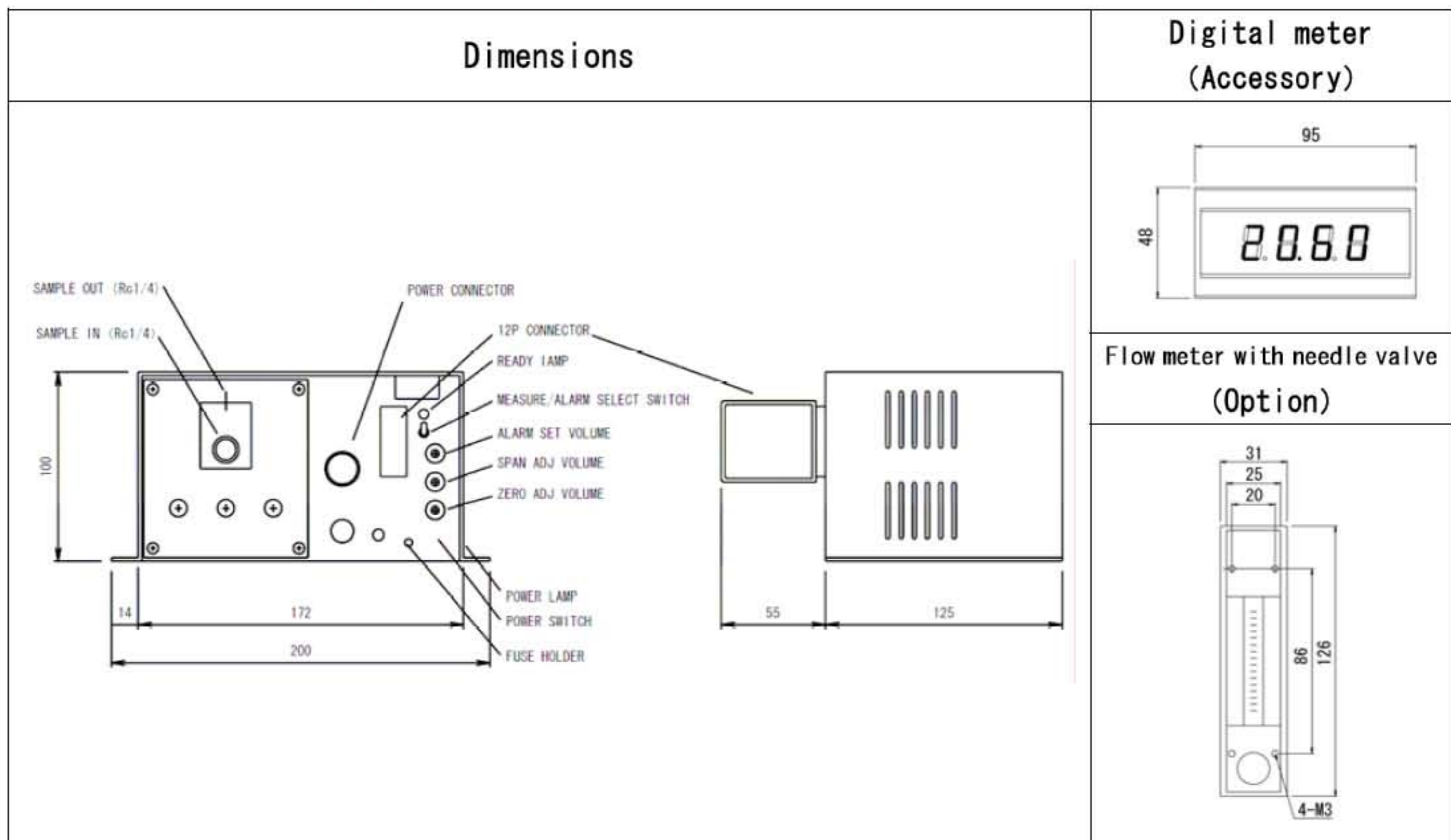
- ◎ Small amount sampling.
- ◎ Compact design.
- ◎ Simple structure, easy maintenance.

## Specification

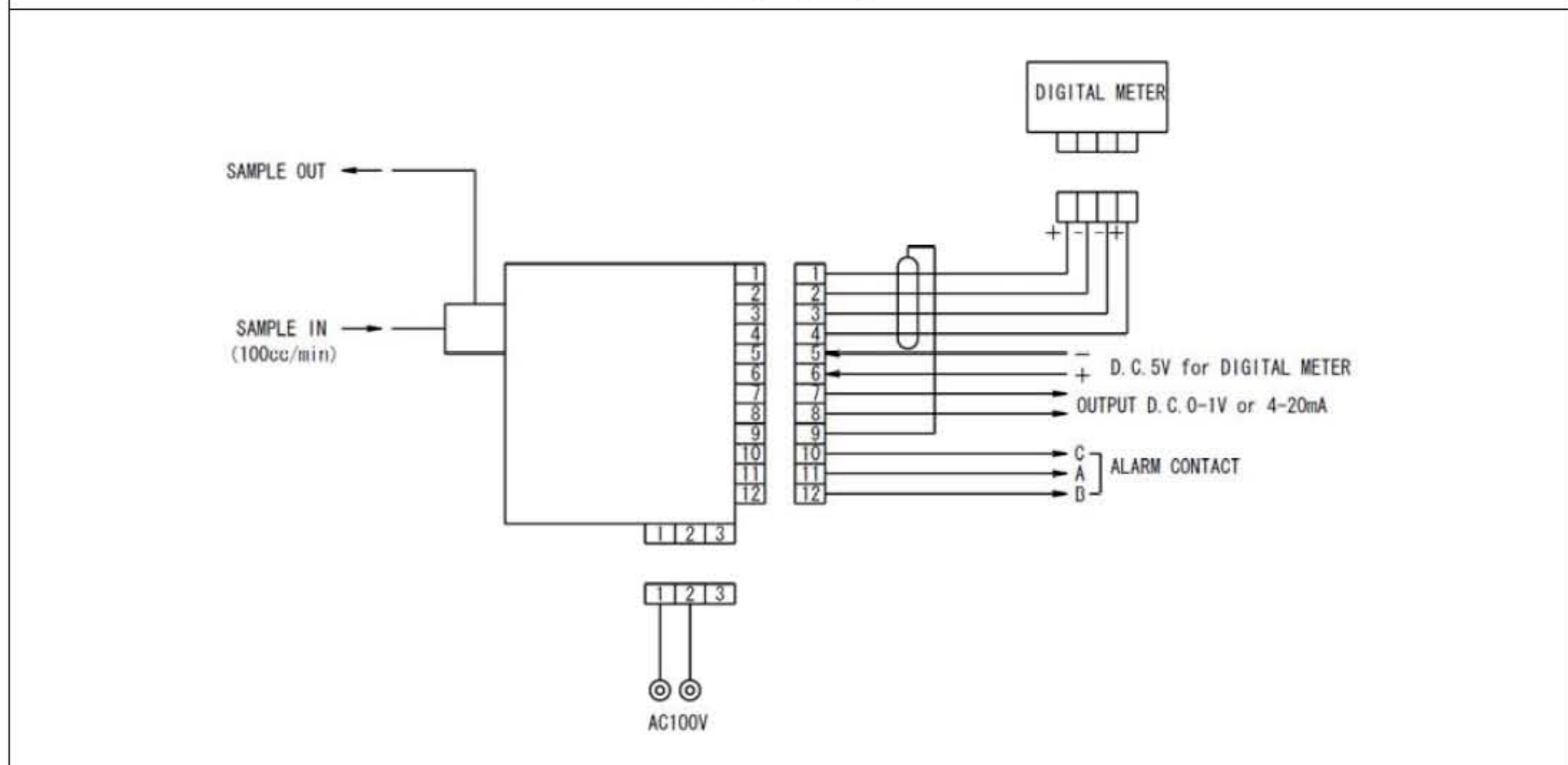
Installation	Indoor type, Plane・Wall type ※ Meter: Panel type
Measuring Range	10ppmO <sub>2</sub> ~25%O <sub>2</sub>
Display	Digital 3 1/2 digit or 4 digit display
Range	1range: Decide in the above measuring range or display range. Min. range: 0-100ppmO <sub>2</sub>
Output	D.C. 0-1V or D.C. 4-20mA (Option)
Alarm	The high-alarm 1point C contact
Linearity	Less than ±1%FS
Responsibility	Less than ±1%FS
Response	90% reading in 10 sec. (Swinging to a high density side)
Drift	Less than ±2%FS/week
Sample Condition	Not include water, corrosive, halogen, combustible
Sample flow	100±10cc/min
Sampling	Introduce (positive pressure)
Sample pressure	0.01~0.05 MPa
Sample temperature	80°C MAX.
Piping	Inlet and Outlet Rc1/4
Warm-up	About 20 minutes
Power	Power: AC100±10V 50/60Hz 200VA MAX.
Using temp.	-5~45°C
Accessory	Panel meter, Power cord(3m), Meter connection cord(3m)
Option	Flow meter with needle valve

※For the improvement, the specification and design may be changed without prior notice.

## Dimensions & Flow Diagram



## Flow sheet



## Inquiry

 **Daiichi Nekken CO., LTD**

13-22 Nishikura-Cyo Ashiya-City

Hyogo-Prefecture Japan

TEL 0797-31-2410 / FAX 0797-31-8951

URL <http://www.daiichinekken.co.jp>

E-mail [info@daiichinekken.co.jp](mailto:info@daiichinekken.co.jp)